



268
HANDHELD CASES

292
UNIVERSAL
PLASTIC
ENCLOSURES

317
HEAVY DUTY
AND ELECTRICAL
ENCLOSURES

341
DEVELOPMENT
BOARD
ENCLOSURES

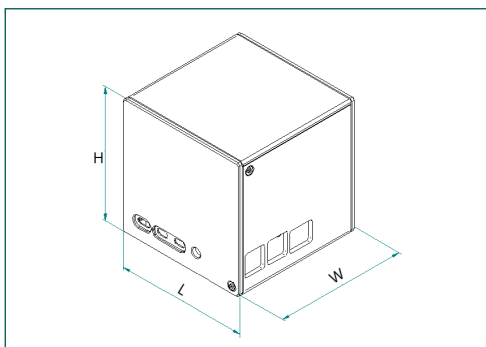
369
VERSATILE IOT
AND SENSOR
ENCLOSURES

Pi4Cube - Cube Raspberry Pi 4B Enclosure

Product overview

Secure slide together construction, with 2x M3 Torx screws and M2 threaded PCB pillars and screws (screws supplied)

- Space inside enclosure for fitting HATS and multiple other components
- Can be orientated in multiple ways, with feet fitted accordingly
- Supplied with screws for PCB and enclosure, strip of 4 stick on feet (not fitted)
- Can be easily customised with digital printing, cut-outs and more



CBRPI4B-CB



SPECIFICATION	
Material	Black, white, dark grey: High Impact polystyrene rated for 5°C - 70°C Gloss white: Acrylic capped ABS rated for 5°C - 85°C
UL rating	UL94-HB
Material thickness	3mm

PART NO.	COLOUR	LENGTH	WIDTH	HEIGHT
CBRPI4B-CB-BK	Black	92.5 mm	92.5 mm	92.5 mm
CBRPI4B-CB-WH	White	92.5 mm	92.5 mm	92.5 mm
CBRPI4B-CB-GW	Gloss white	92.5 mm	92.5 mm	92.5 mm
CBRPI4B-CB-DG	Dark grey	92.5 mm	92.5 mm	92.5 mm

KEY FEATURES

Slide together construction | Unique cube shape | Large internal volume

